

# Paloma WD

## Description

We differentiate high washdown (=HD3 of Bosch definition) from medium washdown (=HD2) requirements:

- Medium washdown : wet wipe, rinsing with water at low pressure and mild cleaning agents
- High washdown : rising with water at low pressure with harsh chemicals

High washdown is typically required for cheese and meet industry.

The Paloma WD machine is designed to meet medium washdown requirements at least. Due to the large variety cleaning agents that can be used by our customers, we are establishing a list of approved cleaning agents based on what the robot and component likes sensor can support.

Remark: For the upper part of the machine, today one limitation is the opening for the fans of the electrical cabinet. We will investigate on chicane inside the protection cover to avoid water pressure coming inside the electrical cabinet thru that area. We will also investigate to on air exchanger to avoid this limited potential issue.

The Paloma WD integrate the new GD40 WD robot, which match the IP69K requirements.

## Ingress protection (IP) code :

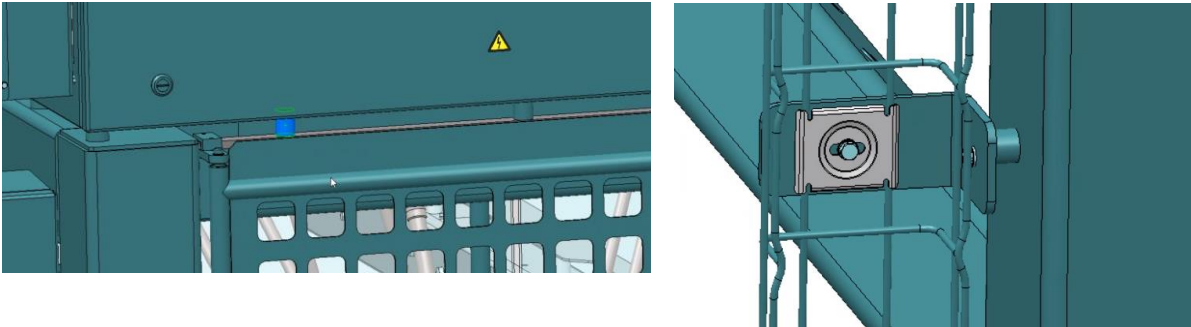
<b>65</b>	Low pressure water jets	Water projected against enclosure from any direction shall have no harmful effects : 0.3 bar at distance of 3 meters
<b>66</b>	Powerful water jets	Water projected in powerful jets against the enclosure from any direction shall have no harmful effect : 1 bar at a distance of 3 meters.
<b>66K</b>	Powerful water jets with increased pressure	Water projected in powerful jets against the enclosure from any direction, under elevated pressure, shall have no harmful effects : 10 bars at distance of 3 meters.
<b>67</b>	Immersion, up to 1 meter depth	Ingress of water in harmful quantity shall not be possible when the enclosure is immersed in water under defined conditions of pressure and time : up to 1 meter of submersion during 30 minutes
<b>68</b>	Immersion, 1 meter or more depth	The equipment is suitable for continuous immersion in water under conditions which shall be specified by the manufacturer. However, with certain types of equipment, it can mean that water can enter but only in such a manner that it produces no harmful effects.
<b>69K</b>	Powerful high-temperature water jets	Protected against close-range high pressure, high-temperature spray downs.

## Highlights

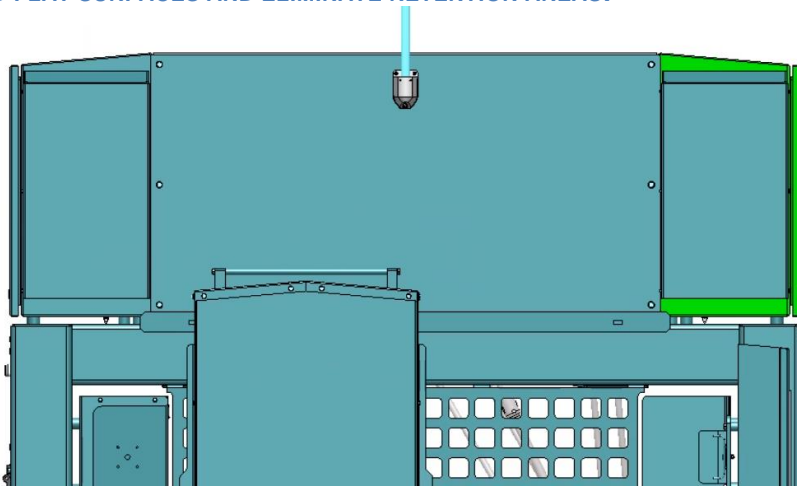
Designed to be **easy to clean**.

Cleanable with water on all area of the machine. Pressure should be avoided, but is tolerated, to HMI area and electrical enclosure area.

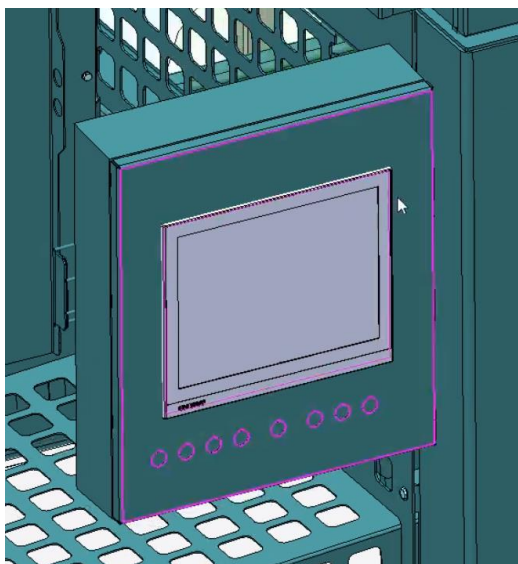
**AVOID LARGE FLAT SURFACES IN CONTACT OR SURFACES WITH A SMALL INTERFACE DISTANCE BY ADDING SPACERS**



**AVOID FLAT SURFACES AND ELIMINATE RETENTION AREAS.**

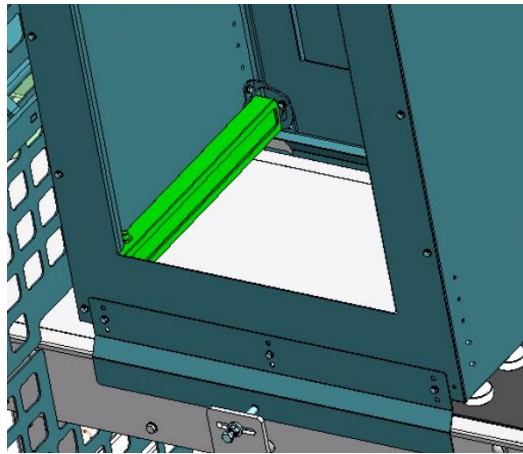


**WATERPROOF HMI WITH IP65 ENCLOSURE**



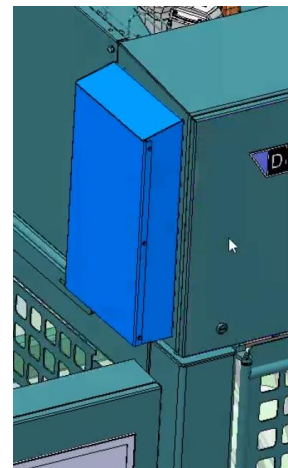
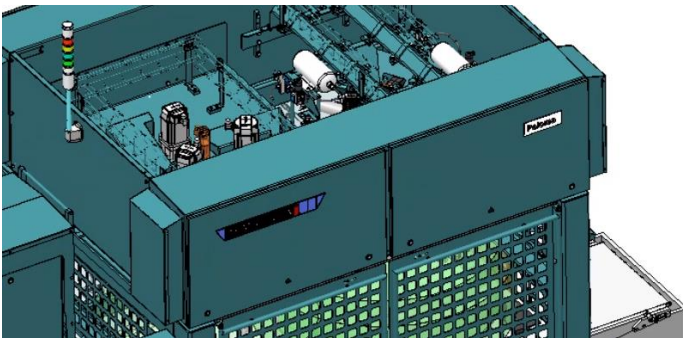
**VISION BOX FULLY WASHABLE FROM THE INSIDE THE VISION ENCLOSURE :**

- WITH IP69K CAMERA
- WATERPROOF LED BAR > IP67.

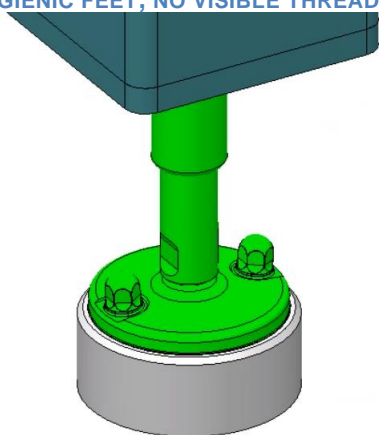


**ELECTRICAL CABINET IP65 :**

- COVER TO COVER THE VENTILATION AIR INLETS OF THE ELECTRICAL CABINET



**HYGIENIC FEET, NO VISIBLE THREAD, SEALS FOR SEALING**



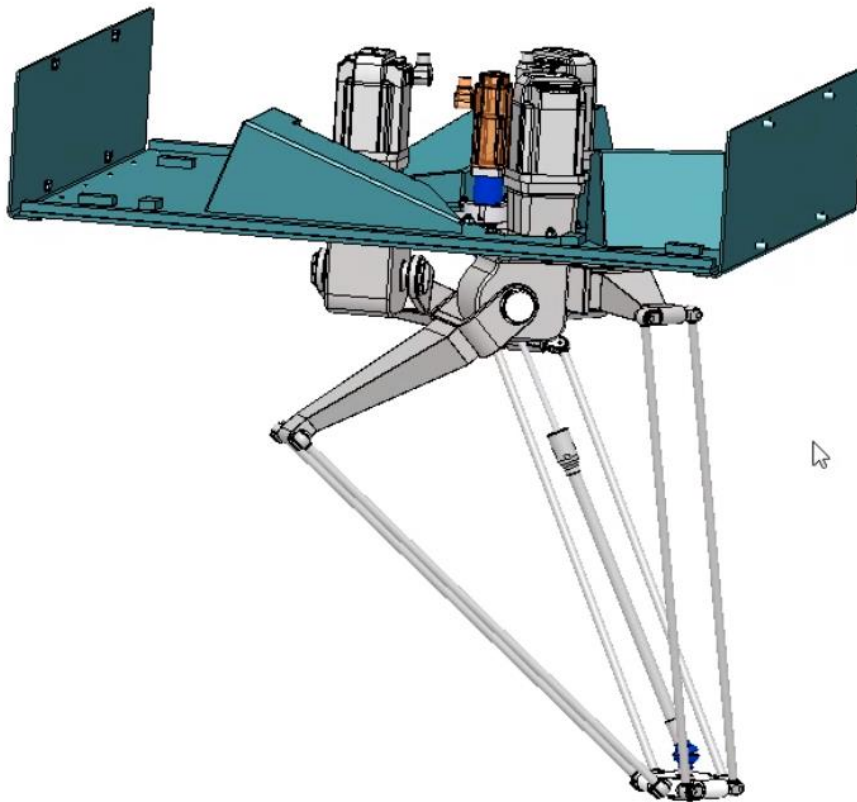
## ROBOT GD40 WD

### Specifications:

- Cleaning : high pressure up to 28bar, IP69K
  - Rotatory axes: 1, telescopic shaft concept
  - Max. rotation of the rotatory axe: unlimited
  - Diameter working space: 1065 mm
  - Height of working space: 330 mm / (465 mm)
  - Nominal load (\*): 1 kg
  - Robot weight: 107 kg
  - Material : stainless steel (upper arms), titan (forearms), PIC (tool plate)
- (\* ) all given values are nominal values and can vary under real world conditions depending on the application (tool specifications, load distances, ...).

This robot has a high price (2.5 x higher expensive than GD32) and speed performance are about 70-80% of the GD33/32.

Interpack machine shows how the robot integration will looks like : upper side isolated with motors isolated from the robot area.



**STAINLESS STEEL DOORS AND GUARDIG (ALSO AVAILABLE AS TRANSPARENT DOORS)**